



Features:

- Intel® 10th Core™ i7 processor
- Dual Channel DDR4, 2x SO-DIMMs
- Discrete GFX support
- 1x DP, 1x DVI, 1x VGA
- 4x GbE LAN ports
- 4x Serial Ports
- 4x USB 3.0 / 4x USB 2.0

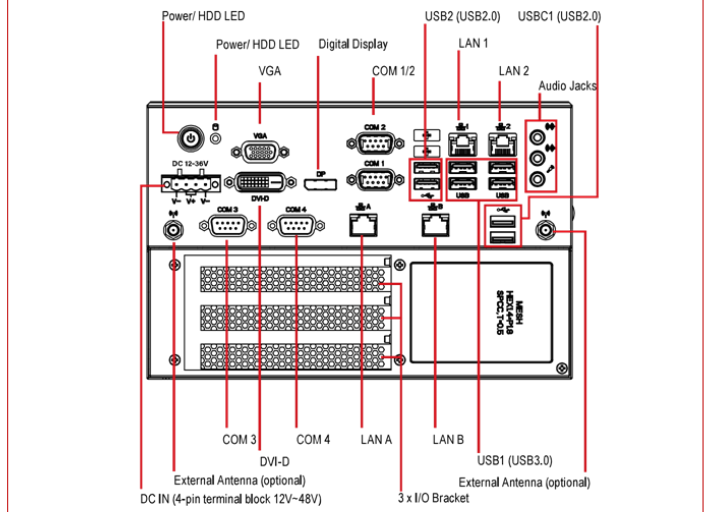


Primary Component	Description
CPU	Support for 10 th Generation Intel® Core™ i7 process in the LGA1200 package, TDP under 65W • i7-10700: MTX-JMB-CMLA10700HG-S00 (65W) • i7-10700T: MTX-JMB-CMLA10700THG-S00 (35W)
Chipset	Intel® Q470E Express Chipset
Memory	<ul style="list-style-type: none"> • 32GB pre-installed; 2x DDR4 SO-DIMM sockets, Max. Capacity 64GB • Support Dual channel DDR4 2644/2400 MHz memory modules
Ethernet	<ul style="list-style-type: none"> • 1x GbE LAN port (Intel® i219V) • 3x GbE LAN ports (Intel® i211AT)
Wireless	• Optional (Intel® Wi-Fi 6 AX200, 802.11ax/BT5.2; or Intel 8265NGW 802.11ac/BT4.2)
Display support	Integrated Graphics Processor - Intel® HD Graphics support: 1x DP port, supporting a maximum resolution of 4096x2160 @30Hz 1x DVI-D port, supporting a maximum resolution of 1920x1080 @60Hz 1x VGA port, supporting a maximum resolution of 1920x1200 @60Hz (2 independent display outputs)
Audio	Realtek® Audio Codec
Storage	1 TB SSD pre-installed , M.2 2280 SATA-3 1x SATA 6 Gb/s port (supports 2.5" HDD/SSD) 3x 2.5" HDD/SSD (SATA 6Gb/s)
Expansion Slots	<ul style="list-style-type: none"> • 1x 2280 M.2 M-Key (SATA 6Gb/s) • 1x 2230 M.2 E-Key (WiFi/BT) • 1x Full-size Mini PCIe with SIM slot (PCIe x1 + USB2.0) -- support 3G/4G module • 1x PCIe slot -- Discrete riser card support
Front I/O*	<ul style="list-style-type: none"> • 1x Power Switch/Power/HDD LED • 3x Audio jacks (Line in, Line out, Mic in) • 1x Display port • 1x DVI-D • 1x VGA • 2x COM (RS-232/422/485 and RI/5V/12V) • 2x COM (RS-232) • 4x RJ45 LAN ports • 4x USB 3.0 • 4x USB 2.0 • 1x 4 pin Terminal Block • 2x External Antenna (optional)
Rear I/O*	• --
Riser card	<ul style="list-style-type: none"> • PCIe x4 (Gen3x1) • PCIe x16 (Gen3x16) -- Discrete GFX card: max. 250W, max length 293mm
Power	• +24V~36VDC (full Range) -- Support discrete GFX card
OS (Optional)	<ul style="list-style-type: none"> • Windows 10 IoT Enterprise LTSC Value • Linux
Operating Environment	Operating: • Temperature: 0°C to 50°C • Humidity: 0-90% (non-condensing) Non-operating: • Temperature: -40°C to 85°C • Humidity: 0%-95% (non-condensing)
Vibration Test	Operating: IEC 60068-2-64, 5 Grms, random, 5 ~ 500 Hz, 1 hr / Per Axis, With SSD Non-operating: IEC 60068-2-6, 2 G, Sine, 10 ~ 500 Hz, 1 Oct/min, 1 hr / Per Axis
Shock Test	Operating: IEC 60068-2-27, 50 G, half sine, 11 ms duration, With SSD
Dimension	138W x 118D x 74.2H mm / 5.43"W x 4.65"D x 2.92"H

Front I/Os



Front I/Os descriptions



Dimensions

unit: mm

