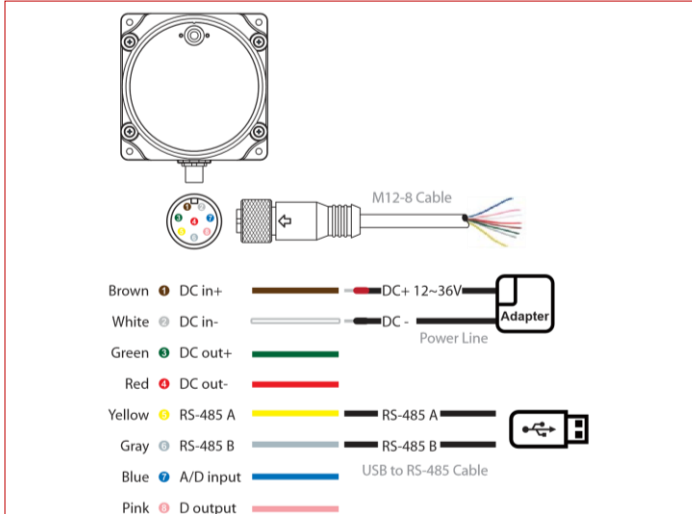
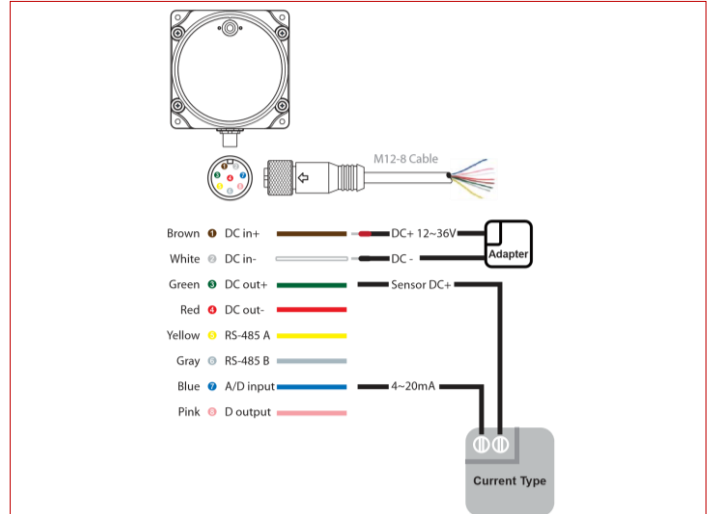



**Features:**

- LoRa Wireless data link provides stable data stream.
- Wide voltage operation for Industrial applications.
- High output RF Power and high sensitivity provide more than 40KM transmission distance.
- Multi-Interface supports RS-485 / Analog or Digital Input / Digital Output.
- AUX Power output for general purpose such as plug-in sensor, or other sub system.
- Software setting function such as Frequency / ID / P2P / Group / Broadcast / Power output ....
- Resists water, dust, temperature and shock and meets the IP68 standard.
- Analog Input Support 0~10 V / 0~20 mA / 4~20 mA / ADC (0~10 V).
- Modbus command for Analog Input / Digital Input / Digital Output / DC Output.
- Digital Output supports PWM / Latch Mode.
- AUX I / O supports remote setup / status inquiry function.
- AES 128 / 256 Encryption Function.

<b>Model</b>	AMR-8C28
<b>Product Type</b>	Outdoor
<b>Air Stream Protocol</b>	LoRa Wireless Protocol (Does not support LoRaWan)
<b>Operating Frequency Range</b>	410 ~ 525MHz / 862 ~ 1020MHz (According to the local regulatory compliance.)
<b>Sensitivity</b>	Up to -136dBm@SF=7 / 10.4K bandwidth
<b>Transmit RF Power</b>	Maximum 2W
<b>Interface</b>	RS-485 x1 / Analog or Digital Input x1 / Digital Output x1
<b>RS-485 Protocol</b>	Modbus RTU
<b>Serial Interface Baud Rate</b>	1200bps / 2400bps / 4800bps / 9600bps / 19200bps / 38400bps / 57600bps / 115200bps / 230400bps
<b>Transmit Encryption</b>	AES 128 / 256 Encryption Function
<b>Analog Input</b>	Analog Input Support 0~10 V / 0~20 mA / 4~20 mA / ADC (0~10 V)
<b>Digital Input</b>	Digital Input Support High / Low Signal Judge
<b>Digital Output</b>	Digital Output Support PWM / Latch Mode
<b>Operating Temperature</b>	-40°C ~ 85°C
<b>Topology</b>	Broadcast / Group / Peer to Peer
<b>Main Unit Dimensions</b>	10 x10 x 4.8 cm (Not including antenna and external connections)
<b>Weight</b>	195 g
<b>Waterproof</b>	IP 68
<b>Input Power Supply</b>	12V ~ 36V DC / 1A
<b>Output Power Supply</b>	5V DC / 200mA (Max.)
<b>Power Consumption</b>	24V 15mA @ 868/920MHz receive; 24V 400mA @ 868/920MHz transmit 2W
<b>Special Specification</b>	Flame Retardant

**Connect to the PC**

**Connect to the 4~20mA Sensors**

**Dimensions**
