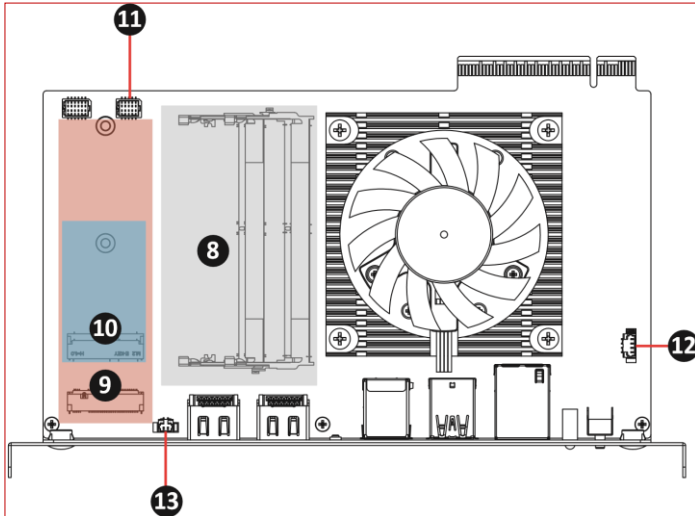
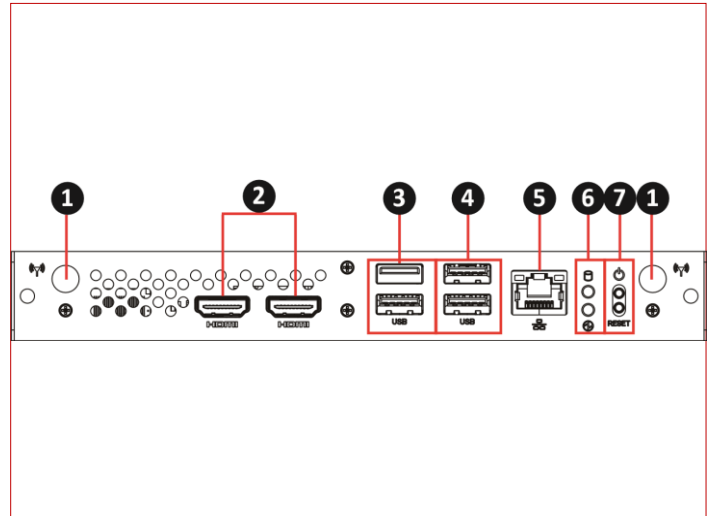

**Features:**

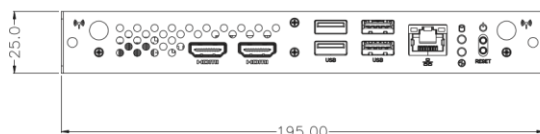
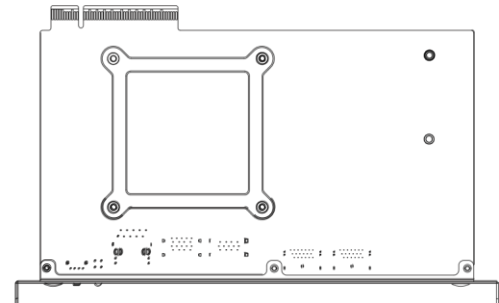
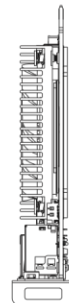
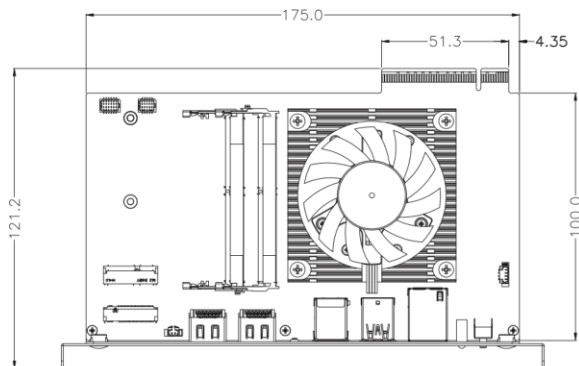
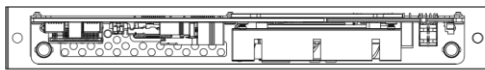
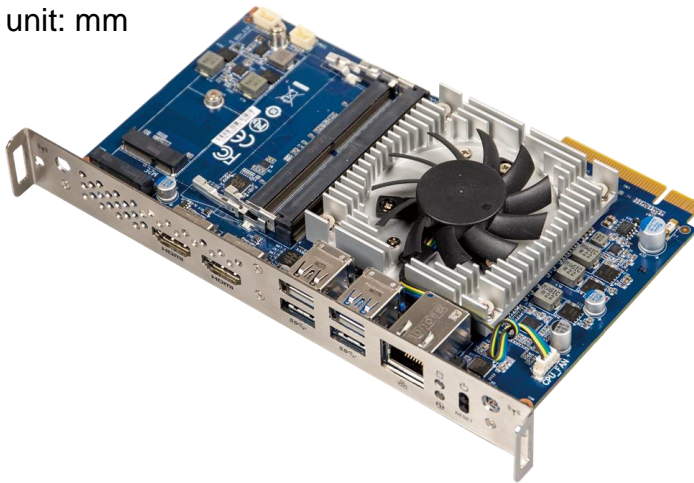
- Intel® Core™ i5-1135G7 Processor
- Dual Channel DDR4, 2 x SO-DIMMs
- 1 x GbE LAN Port
- 3 x USB 3.2 Gen 1
- 1 x USB 2.0
- Environment : Operation 0°C to 55°C
- Long lifetime support
- Support 4K/60Hz, HDCP v2.2



Primary Component	Description	
Form Factor	SDM-Large, 175W x 100D(mm)	
CPU	Intel® Core™ i5-1135G Processor, 10nm 4 cores, 8 threads, up to 4.20 GHz TDP 28W	
Socket	1x FCBGA1449	
Memory	<b>16GB Pre-Installed</b> , 2 x DDR4 SO-DIMM sockets, Max. Capacity 64 GB Support Dual Channel DDR4 3200 MHz memory modules	
Ethernet	1x GbE LAN Port (Intel® I219V)	
Wireless	Optional (Wi-Fi 6, BT)	
Video	Integrated Graphics Processor - Intel® UHD Graphics: 1x HDMI 2.0 (SDM), supporting a maximum resolution of 4096x2160 @60Hz 1x Display Port (SDM), supporting a maximum resolution of 4096x2160 @60Hz 2x HDMI 2.0 (Rear), supporting a maximum resolution of 4096x2160 @60Hz  (4 independent display outputs)	
Audio	Intel® Integrated Audio	
Expansion Slots	<b>256GB SSD Pre-Installed</b> , 1x 2280 M.2 M-Key (PCIe x4, SATA 6Gb/s) 1x 2230 M.2 E-Key	
Rear I/O	2x HDMI 1x RJ45 LAN Port 3x USB 3.2 Gen 1 1x USB 2.0 1x PWR LED	1x HDD LED 2x External Antenna Holes (Optional) 1x Reset button 1x Power button
TPM	1x TPM header	
Operating Properties	Operating temperature: 0°C to 55°C Operating humidity: 0%-90% (non-condensing)	Non-operating temperature: -40°C to 85°C Non-operating humidity: 0%-95% (non-condensing)

**Front view**

**I/O side**

**Dimensions**

unit: mm



No	Code	Description
1	Antenna hole	2 x Antenna (WiFi & BT) (Option)
2	HDMI_1 HDMI_2	2 x HDMI
3	FUSB	1 x USB 2.0 (Top) 1 x USB 3.0 (Bottom)
4	FUSB31	2 x USB 3.0
5	LAN	1 x RJ45
6	PS_LED	1 x PWR LED (Top) 1 x HDD LED (Bottom)
7	PSW_RST	1 x Power button (Top) 1 x Reset button (Bottom)
8	SODIMM_A SODIMM_B	2 x DDR4 SO-DIMM sockets
9	M2M	1 x 2280 M.2 M-Key (PCIe x4, SATA 6Gb/s)
10	M2E	1 x 2230 M.2 E-Key
11	TPM	1 x Trusted Platform Module Connector
12	CPU_FAN	1 x CPU Fan connector
13	BATTERY	1 x Battery cable connector